



schmidt
a brand of aebi schmidt

Stratos 0.6 - 0.8m³

Spreader



The Stratos 0.6 - 0.8 m³ is a mountable spreader of the small Stratos series intended for mounting on compact carrier vehicles, such as small flatbed trucks, pickups or narrow track vehicles. Typical areas of application are depots, car parks, cycle paths and foot-paths, along with alleys in the old town and some municipal roads. The small Stratos series uses the same technology as the larger Stratos spreaders.

Highlights

- Can be equipped with either the classic **auger or belt conveyor systems**
- **Highest** spreading and distribution **accuracy**
- Various **control solutions**, specially developed for winter road maintenance

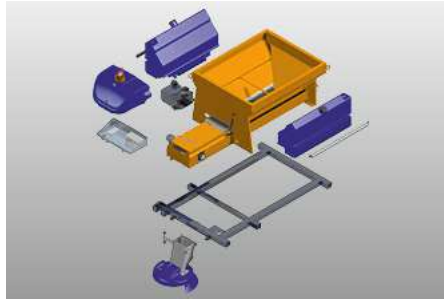
Your benefits

- **Proven technology** as in the large Stratos series
- **Flexible modular design** for optimum adaptation to the carrier vehicle and the operating conditions
- **Economical use** of spreading materials thanks to pre-wetted salt technology

Performance features

Modular concept

The modular construction system enables very economical configuration that can be individually and readily adapted to various deployments and carrier vehicles. The hopper is available in sizes from 0.6 m³ to 0.8 m³ and is made of powder-coated stainless steel to ensure a long service life and high corrosion protection.



Spreading technology

The Stratos can spread both de-icing and gritting materials operated from a control system in the driver's cab. It can be equipped with either a classic auger conveyor system or a belt conveyor system. The use of pre-wetted salt technology ensures that the spreading materials are used sparingly, reducing cost and protecting the environment at the same time.

Drive options

The Stratos spreader can be driven by different systems but the simplest solution is to use the hydraulics of the carrier vehicle. If no hydraulics are available, the innovative and efficient Rotopower option is available, which uses the rotation of the rear axle without frictional loss by removing it directly from the wheel hub. A further option is to use the classic auxiliary motor.

Control and information systems

The Schmidt EvolutionLine control system comprises three different operating concepts that make the operator's work easier and more efficient. Thanks to this sophisticated control technology, the driver can control all functions conveniently from the driver's cab and react directly to changing road situations. Depending on the equipment choice, temperature-dependent dosage is possible using ThermoLogic, routes can be planned in advance employing Route Assistant or data analysis with the IntelliOPS data management system is also available.



Related products

Syntos
Spreader



Traxos
Spreader



SNK
Snow plough



Technical data

	Stratos 06	Stratos 08
Hopper		
Hopper capacity	0.6 m ³	0.8 m ³
Pre-wet equipment		
Tank capacity integrated tank	350 l	350 l
Conveyor system		
Conveyor system	belt / auger	belt / auger
Distribution system		
Distribution systems	Spreading disc: Basic spreading disc Spreading disc diameter: 350 mm Spreading width: 2 - 6 m	Spreading disc: Basic spreading disc Spreading disc diameter: 350 mm Spreading width: 2 - 6 m
Mounting/demount system		
Mounting/demount system	Demount legs	Demount legs
Drive system		
Type of drive	Vehicle hydraulics / Rotopower / Engine drive	Vehicle hydraulics / Rotopower / Engine drive
Control system		
Control system	EC / EP / ES	-
Weights		
Empty weight approx.	331 kg	331 kg



© Aebi Schmidt Group
www.aebi-schmidt.com

Aebi Schmidt Holding AG
CH-8050 Zurich, Switzerland

All rights reserved. Technical data is subject to change.
Illustrations are not binding. Errors and amendments excepted.

Document created on 11 FEB 2024

